

**T V I**

MEAT PORTIONING

*...Together  
for your success!*

## Production line FPS 500 multitray

Any meat product, at any weight  
in any tray.



- ✓ Packaging of meat products in trays with fixed-weight
- ✓ Minimum give-away
- ✓ Minimum personnel
- ✓ High degree of automation
- ✓ High level of flexibility

## Mode of operation

The FPS 500 multitray for manually and/or automatically tray filling with catch-weight or fixed-weight portions.

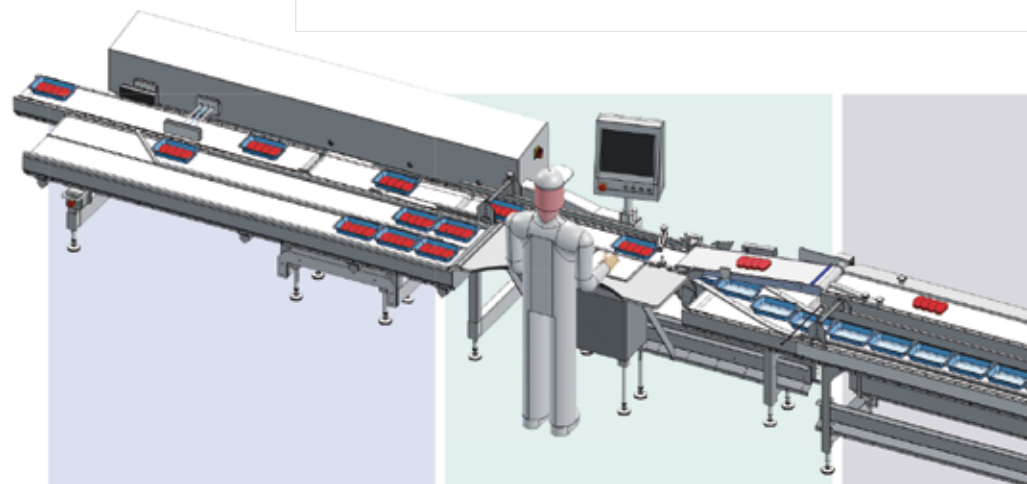
- The portioned slices are transferred from the GMS 500 to the meat conveyor of the MIS 3000-4000.
- From there, the product can be fed manually or automatically with the AIF 500 into trays.
- The filled trays run into the GMI 500, are separated by an acceleration conveyor and weighed on a dynamic scale.
- Light or heavy portions are pushed onto separate buffer belts and conveyed to the reworking station.
- Portions with correct weight run directly into the packaging machine.
- In the reworking station, individual slices of the rejected portions are exchanged in order to achieve target weight.

# Modular line concept - space-saving & flexible.



## FPS 500: Advantages & savings

- ✔ 100 % fixed-weight packs
- ✔ controlled, minimum give-away
- ✔ excellent product hygiene
- ✔ flexible usage for various products
- ✔ modular design, individually upgradable
- ✔ easy to use



GMI 500 multitray



AIF 500 directload



MIS 3000-4000

Weighing and controlling unit for equalised trays

Automatic tray filling system

Manual tray



The FPS 500 multitray consists of perfectly matching components:

**MIS 3000-4000 multitray**

Ergonomically designed, manual inlay area with 3 or 4 meters length consisting of

- Tray dispenser TDS 300 multitray
- Meat conveyor
- Tray conveyor
- Optional: Centering unit



MIS 3000-4000 with TDS 300 tray dispenser

**AIF 500 directload**

Automatic tray filling with a knife edge conveyor

- Can be combined with MIS 3000-4000 as a standalone unit (without GMI 500 for catch-weight portions only)
- Both manual and automatic tray filling possible (depending on the product)



AIF 500: automatic tray filling

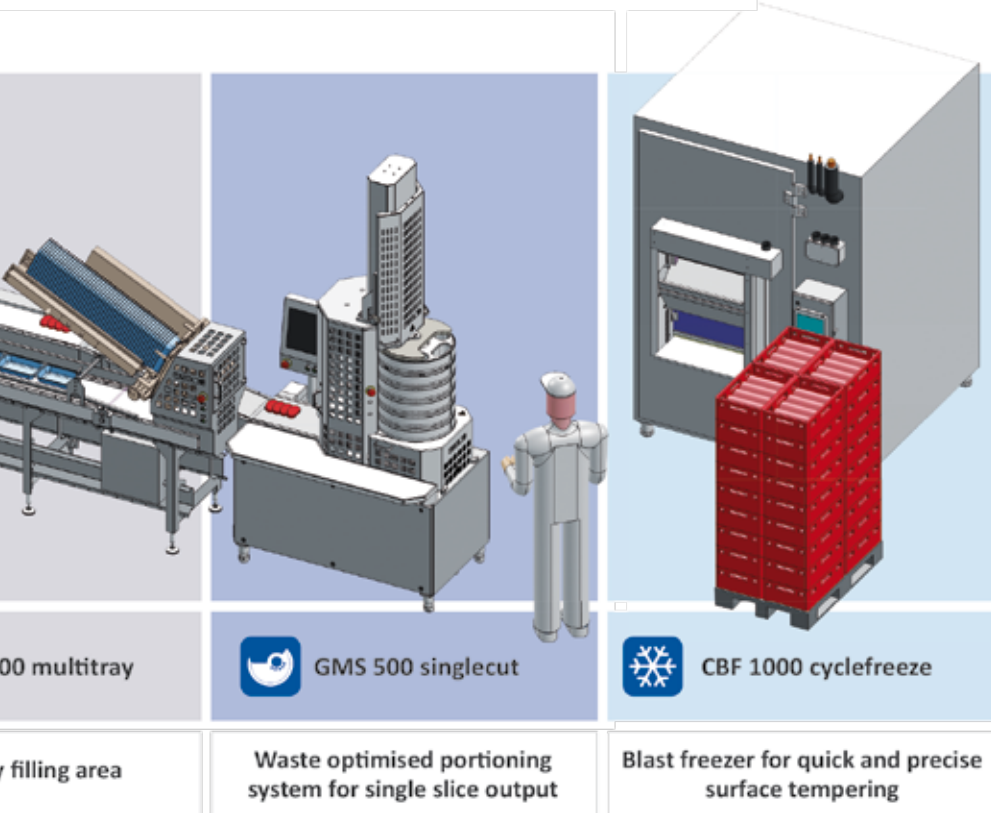
**GMI 500 multitray**

Weighing and sorting unit for fixed-weight portions consisting of:

- dynamic scale
- sorting with pushers
- buffer belts for under- and overweight portions
- tendency control with feedback for portioning machine



GMI 500: Weighing and sorting area



**SPEED.  
POWER.  
FASCINATION.**



## Technical data:

Tray formats:	Min. 120 x 120 x 30 / 13 mm [LxWxH] Max. 325 x 275 x 80 mm [LxWxH]
Tray output:	Standard: up to approx. 40 trays/min. Extendable up to approx. 60 trays/min.
Electrical connection:	3x 400 V /N/PE, 16 A Connection power approx. 1.4 kW
Compressed air:	6-8 bar, (dry, oil-free) Consumption approx. 6.8 m <sup>3</sup> /h, at around 20 trays per min.



See further information on our **TVI-YouTube-Channel**.  
Simply scan this QR-Code.

## TVI service packages:

Minimise your downtimes and machine stops! We offer you service packages which perfectly fit to your machines and production lines, for ideal prevention with our trained technicians on site.

## Offline diagnosis:

Many machine types allow us to diagnose errors quickly online, thus enabling us to help you quickly.

## Service hotline:

Feel free to call our experienced experts and they will find a solution for you as quickly as possible:

Tel.+49 (0)1805 725800

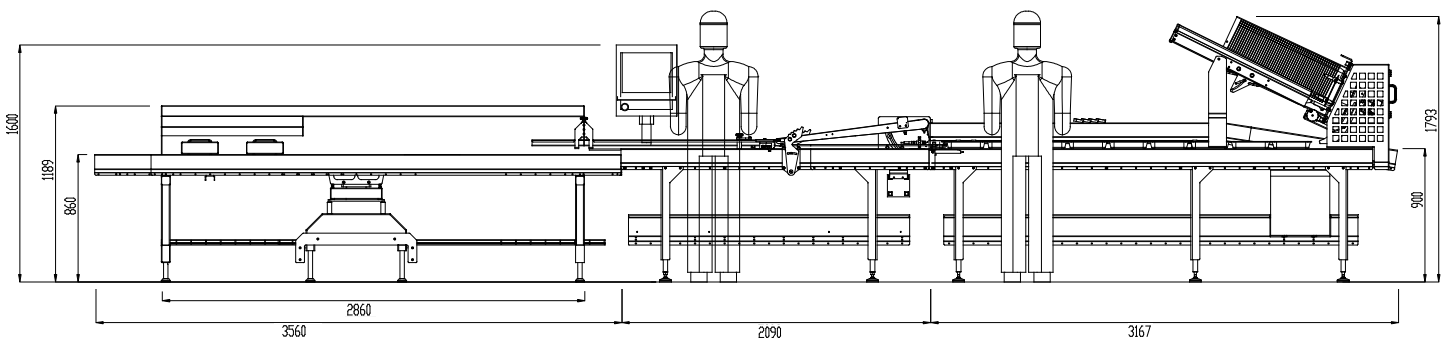


Image: FPS 500 multitray line consisting of MIS 3000, TDS 300, AIF 500 and GMI 500

Modifications reserved. To apply: Data of the offer and TVI standard warranty and contract terms.

## Your specialist for profitable meat portioning

### Perfectly matching components

TVI offers innovations in the area of meat portioning. Our services range from meat tempering, portioning of almost all types of red meat, across the manual and automatic tray filling, weighing and resorting to transferring the fixed weight portions to the packaging machine.

### Customised production lines

The various GMS models are flexible meat processing centres that can carry out any portioning task perfectly thanks to the standard modules and customer-specific programmes.  
The various TVI machines create customised lines designed for your requirements.

## TVI Entwicklung & Produktion GmbH

Salzhub 16, D-83737 Irschenberg

Telefon +49 (0)8062 72580-0

Telefax +49 (0)8062 72 580-200

E-Mail [info@tvi-gmbh.de](mailto:info@tvi-gmbh.de)

### Service hotline after office hours:

Tel. +49 (0)1805 725800